

two-piece, »FUTURA-mini« series

Two-piece service units with excellent flow rates in modern design.  
Diaphragm pressure regulator with secondary ventilation.

|                       |   |
|-----------------------|---|
| Input pressure        | 1.5 - 12 bar  |
| Temperature range     | -10 °C to 50 °C   |
| Medium                | Compressed air, neutral gases   |
| Housing               | PA66 GF60   |
| Connecting thread     | Plastic   |
| Filter element        | Cellpor (PE)  |
| Filter rating         | 5 µm  |
| Sight dome            | PC  |
| Sealant               | NBR   |
| Diaphragms            | NBR   |
| Flow rate             | 800 l/min   |
| Flow rate measurement | At $P_1 = 10$ bar, $P_2 = 6.3$ bar and pressure drop $\Delta p = 1$ bar |

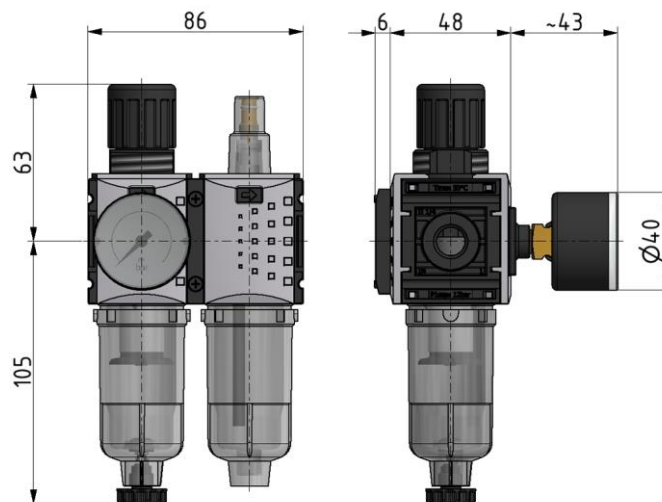
### Service unit, 2-piece with polycarbonate bowl and standard pressure gauge

| Art. No. | Type No.     | Thread | Size | Control range<br>bar | Pressure gauge<br>display<br>bar | Condensate drain     |
|----------|--------------|--------|------|----------------------|----------------------------------|----------------------|
| 142457   | FUM 601-4    | G 1/4  | 0    | 0.1 - 4              | 0 - 6                            | Semi-automatic       |
| 142458   | FUM 601-8    | G 1/4  | 0    | 0.5 - 8              | 0 - 10                           | Semi-automatic       |
| 142459   | FUM 601-10   | G 1/4  | 0    | 0.5 - 10             | 0 - 16                           | Semi-automatic       |
| 142460   | FUM 611-4    | G 1/4  | 0    | 0.1 - 4              | 0 - 6                            | Fully-automatic      |
| 142461   | FUM 611-8    | G 1/4  | 0    | 0.5 - 8              | 0 - 10                           | Fully-automatic      |
| 142462   | FUM 611-10   | G 1/4  | 0    | 0.5 - 10             | 0 - 16                           | Fully-automatic      |
| 142463   | FUM 611-4-C  | G 1/4  | 0    | 0.1 - 4              | 0 - 6                            | Fully-automatic (NC) |
| 142464   | FUM 611-8-C  | G 1/4  | 0    | 0.5 - 8              | 0 - 10                           | Fully-automatic (NC) |
| 142465   | FUM 611-10-C | G 1/4  | 0    | 0.5 - 10             | 0 - 16                           | Fully-automatic (NC) |

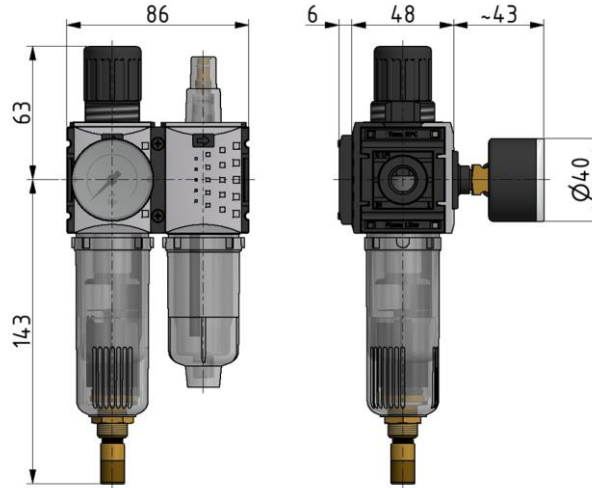
**Accessories / spare parts**

| Art. No. | Type No.     | Description  |
|----------|--------------|--|
| 143102   | R 11-55 K    | Panel nut M30x1.5  |
| 143105   | H 848        | Mounting bracket, incl. 2 screws                             |
| 143106   | H 849        | Mounting bracket for thread for panel mounting               |
| 143010   | WKM 100      | Coupling package for wall mounting incl. 2 screws and O-ring |
| 143022   | KPM 100      | Coupling package incl. 2 screws and O-ring                   |
| 100134   | 611.6.905    | Filter element 5 µm, Cellpor                                 |
| 100357   | 640/1-HA     | Polycarbonate bowl (filter)                                  |
| 100383   | 740/01       | Polycarbonate bowl (lubricator)                              |
| 152077   | WK 100-14    | Wall bracket with connection thread G 1/4                    |
| 143144   | 640/11-A-NC  | Metal container, Fully-automatic (NC)                        |
| 152961   | 655.6.901    | Automatic drain valve, usually closed (NC)                   |
| 100361   | KS 11 F-A    | Polycarbonate bowl with automatic draining                   |
| 143142   | KS 11 F-A-NC | Polycarbonate container, Fully-automatic (NC)                |
| 100359   | 641/11-HA    | Metal bowl with semi-automatic drain                         |
| 100391   | 740/11       | Metal bowl (lubricator)                                      |
| 100360   | 640/11-A     | Metal bowl with automatic drain valve                        |
| 118137   | 302.4.9      | O-ring 30x2 mm for container                                 |
| 143131   | 1811.3.904   | Wheel 0.1 - 4 bar  |
| 143136   | 1811.5.904   | Pressure spring 0 - 4 bar                                    |
| 143140   | 22.7010M.4   | Spare parts for filter regulator/regulator                   |
| 100362   | 655.6.900    | Automatic drain valve  |
| 100214   | 901.7.990    | Sight dome, polycarbonate                                    |
| 143132   | 1811.3.908   | Wheel 0.5 - 8 bar  |
| 143138   | 1811.5.908   | Pressure spring 0 - 8 bar                                    |
| 117242   | 1811.3.910   | Wheel 0.5 - 10 bar   |
| 117251   | 1811.5.910   | Pressure spring 0 - 10 bar                                   |

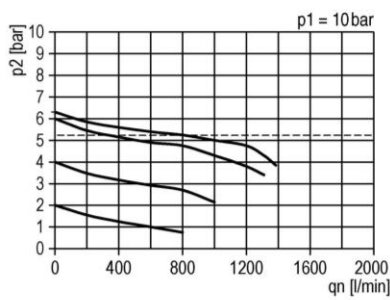
**Semi-automatic:**



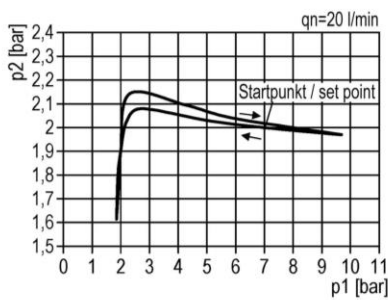
## Fully-automatic:



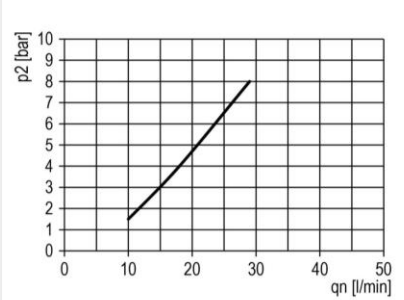
flow characteristic



pressure characteristic



lubricator operating limit



symbol

